

## Participants

### **3Com Corporation (Pod 6 K2, K3)**

3Com Corporation's broad suite of Asymmetric Digital Subscriber Line (ADSL) customer premise equipment provides users with a choice of internal or external modems with the flexibility of full-rate ADSL implementation and the capability to upgrade to G.lite.

### **Alcatel Access Systems (Pod 5 K4, DSLAM)**

Alcatel provides all the pieces necessary to quickly and effectively deploy DSL from Central Office to DLC, to end customer. Alcatel's Multimode G.lite/Full rate and Splitterless Full rate will give operators even more flexibility in their deployment while protecting their investment.

### **Alcatel Microelectronics (Pod 5 K1)**

Using the CPE (Customer Premises Equipment) evaluation board as delivered in the DynaMiTe™ Development Kit, Alcatel Microelectronics is demonstrating G.lite standard ADSL to a PC. The DynaMiTe™ board is connecting to multiple DSLAM's (Digital Subscriber Line Access Multiplexers) on the G.lite booth. The demonstration uses the DynaMiTe™ chipset in a reference design by Alcatel Microelectronics.

### **AMD (Pod 1 K1)**

AMD demonstrates our ADSL full-rate and G.Lite capable AmDSL™ chipset. Based on industry-leading Alcatel Access System's technology, this ANSI/ITU compliant presentation of an external ADSL modem (ATU-R) shows AMD physical layer devices interoperating with DSLAM (ATU-C) products and silicon from other leading suppliers.

### **Analog Devices, Inc./Aware (Pod 5 K3)**

Analog Devices, Inc., the industry's largest supplier of ADSL chipsets, together with partner Aware, Inc. will demonstrate how Analog's G.Lite chipsets, which feature Aware's standards based G.Lite technology, are enabling widespread interoperability between the leading suppliers of central office and customer premise equipment.

### **Analog and Digital Devices (Pod 1 K3)**

ADDTEL is a manufacturer of data communication products, specializing in the field of broadband, Small Office Home Office (SOHO) and Consumer Electronic Equipment. ADDTEL is the manufacturing partner and supplier of data communication products to a number of worlds leading PC Manufacturers and several privately labeled Data Communication Products Providers.

### **Ascend (Pod 8 K2)**

Ascend's CellPipe 50 A, a high speed ATM over ADSL router CPE, will demonstrate high speed multimedia applications over copper wire, by interoperating with ATM DSLAM for end to end ADSL connectivity.

### **Cayman Systems (Pod 7 K4)**

Cayman Systems is the access gateway provider of choice for many carriers and ISP's. Versatility, "ease of use", and affordability are features customers worldwide have come to expect from Cayman Systems.

### **Centillum Technology (Pod 2 K3, DSLAM)**

Centillum Technology is a communication solutions company dedicated to delivering high-speed Internet access to bandwidth-hungry businesses and consumers. The company designs and markets Digital Subscriber Line (DSL) chipset solutions for central office equipment, DLC line cards, and customer premises equipment. Centillum's chipset family is the industry's highest port density, lowest power dissipation solution available to networking equipment manufacturers today. Additional information is available at <http://www.centillum.com>.

### **Cisco (Pod 6 K1, DSLAM)**

Cisco demonstrates G.lite interoperability with select third-party vendors using our DMT/G.lite line card for the 6100 and 6200 DSLAMs, and our 677 ADSL router operating in G.Lite mode.

### **Compaq (Pod 4 K2)**

Compaq is demonstrating the 1.5Mb Max and 6.0Mb Max Digital DSL/56K Modems, interoperating with major vendors' DSLAMs using G.lite. These modems support both G.lite and V.90 connections. They are shipping with selected Compaq Presario desktop PCs, and provide consumers with affordable devices for high speed DSL internet access.

### **Conexant Systems, Inc. (Pod 4 K1)**

Conexant Systems Inc., formerly Rockwell Semiconductor Systems, is the world's largest independent company focused exclusively on providing semiconductor products for communications electronics. Together with PairGain Technologies, Conexant is demonstrating its' full-rate ADSL/G.lite AccessRunner™ solution. Conexant's ADSL chipsets are fully compliant with industry standards.

### **ECI TELECOM (DSLAM)**

ECI TELECOM designs, develops, manufactures, and markets digital telecommunications and data transmission systems, doing business in over 140 countries. ECI Telecom is demonstrating its Hi-FOCuS next generation xDSL system employing innovative FractalLink architecture supporting multiple DSL technologies including ADSL Lite while supporting CBR, VBRrt, VBR, and UBR QoS classes.

### **Efficient Networks, Inc. (Pod 1 K4)**

Efficient Networks, Inc. is a premier supplier of DSL customer premises equipment (CPE) to the worldwide data and telecommunications markets. The company's SpeedStream™ cell-based, DSL customer premise equipment is designed for network service providers to enable deployment of a new class of remote access applications, including high-performance Internet access, image distribution, video conferencing and telecommuting. Efficient is a member of the ATM Forum, the ADSL Forum and the Universal ADSL Working Group.  
[www.efficient.com](http://www.efficient.com)

### **Ericsson (DSLAM)**

A worldwide telecommunications leader, Ericsson will demonstrate interoperability of its global xDSL system. Ericsson's system, ANx-DSL, offers broad interoperability with the leading Customer Premise Equipment (CPE) suppliers.

### **FlowPoint Corporation (Pod 7 K2)**

FlowPoint offers a complete line of award winning, advanced broadband routers for DSL technologies. All FlowPoint routers include full IP and IPX routing and bridging support as well as NAT, DHCP, optional VPN and Firewall features. SuperComm Booth #4215. [www.flowpoint.com](http://www.flowpoint.com)

### **Fujitsu Network Communications, Inc. (DSLAM)**

Fujitsu Network Communications, Inc., designs and manufactures fiber-optic transmissions, local loop access and broadband switching platforms and develops software for in-service management and monitoring of the telephone network. Fujitsu's SPEEDPORT line of ADSL products, co-developed with North American ADSL partner, Orckit Communications, are being used to outfit one of the largest ADSL deployments in the world.

### **GlobeSpan, Inc. (Pod 3 K4)**

GlobeSpan will demonstrate the interoperability of its chipset for G.lite using CO equipment and a PCI CPE. GlobeSpan develops advanced DSL chipset for both CO and CPE market segments.

### **HYUNDAI Electronics (Pod 5 K2, DSLAM)**

Hyundai's SpeedXess is an ATM-based G.lite/G.dmt ADSL Broadband system, which supports multiple Mbps ATM services. High scalable SpeedXess DSLAM, various types of SpeedXess ATU-Rs and use-friendly SpeedXess EMS will enable multimedia services for home as well as businesses in various environments.




### **Intel Corporation (Pod 7 K3)**

Intel Network Communications Group will provide a technology demonstration of a dual mode G-DMT/G.lite internal PCI modem. Highlights include compatibility and interoperability with networking equipment based on the emerging ITU standards, showcasing scalable, advanced management and diagnostics support. This DSL modem provides high performance, low cost ADSL access to private and public Internets.

### **ITeX (Pod 8 K1)**

ITeX is a leading developer of ADSL solutions to enable mass deployable ADSL services. ITeX's unique scalable ADSL technology adopts open industry standards, maximizes loop performance and lowers the cost barriers for ADSL deployment.

### **Lucent Technologies Microelectronics Group (Pod 8 K3)**

Lucent Technologies Microelectronics DSP1690  chip set is one of the industry's most compact Asymmetric Digital Subscriber Loop (ADSL) chip sets, which is built upon the first DSP that incorporates both traditional V.90 analog modem and ADSL functions on a single chip. The  chip set can be used in personal computers, and in external stand-alone configurations. The  chipset will be on demonstration to show G.Lite interoperability with major Head End equipment providers at SuperComm '99. See us at booth 7827.

### **Motorola (Pod 2 K2)**

Motorola's CopperGold Lite V.90 chip set, MS143462SK, is designed to allow modem manufacturers to build the next generation to consumer modems. Motorola's demonstrating high-speed DSL Internet access at the Interoperability booth.

### **NEC (DSLAM)**

NEC has developed an advanced standards based multi-service access platform called CuproPlus offering network and services providers a fully managed solution for the delivery of Data, Video and Voice Services over twisted pairs. Please visit the NEC stand 5351.

### **Newbridge Networks (DSLAM)**

Newbridge Networks, founded in 1986, is a leading G.Lite vendor, working closely with the ITU for compliance, with numerous trials underway, including BC Tel and SingTel Magix. Newbridge boasts an ADSL solution that is highly integrated, network manageable, using the latest in ATM and discrete multi-tone (DMT) silicon technology. For more information on our xDSL offering, come visit us in hall H, booth #7715 or <http://www.newbridge.com/dsl>

### **Next Level Communications (Pod 3 K1, DSLAM)**

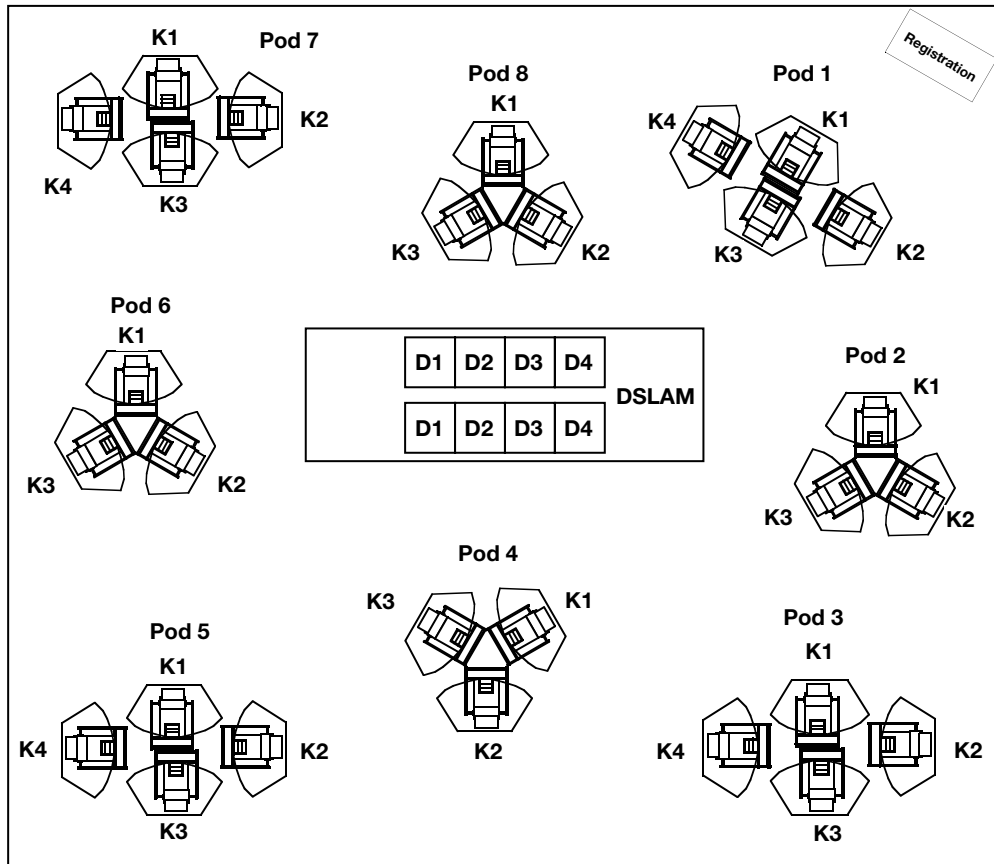
Next Level Communications (NLC) provides the NLevel3 Unified Access Platform and a line of CPE for the North American Telcos. NLC's products provide broadband access delivery of voice, data, and video services to subscribers over the Telcos existing copper wire plant.

### **Nortel Networks (DSLAM)**

Nortel Network's will showcase G.Lite using the Universal Edge 9000 Digital Loop Carrier, demonstrating simultaneous voice and data, video streaming, and web browsing applications. The UE 9000 is a full-service access platform supporting DSLAM, DLC, DMS line, and VoPacket Gateway functionality.

### **Orckit Communications (Pod 2 K1)**

Orckit Communications develops and supplies industry standard DSL solutions including ADSL, HDSL, and VDSL. Together with their partners, Orckit provides full-rate ADSL and G.Lite interoperable solutions and is the leading equipment provider for two of the largest ADSL deployments in the world. Orckit and Fujitsu Network communications have formed a strategic DSL partnership for the North American market to design and deliver the SpeedPort Digital Subscriber Line Access Multiplexer.



### PairGain (Pod 4 K3, DSLAM)

PairGain will display standards-compatible G.lite using the AVIDIA System integrated access concentrator and Megabit Modems. G.lite transmission is based on PairGain's Falcon chip, which supports both full-rate DMT ADSL and G.lite from a single low-power processor. AVIDIA and the Megabit Modems are shipping today. Conexant is PairGain's exclusive partner for manufacturing and marketing Falcon-based solutions. PairGain is the number one supplier of DSL systems today with over 1.5 million lines deployed.

### Samsung Telecommunications America (Pod 7 K1, DSLAM)

Samsung is demonstrating its G.lite DSLAM and its customer modem. Both have been shown to interoperate with modems from other major vendors. Full-rate versions of both Central Office and Customer modems are also available.

### Siemens (DSLAM)

Siemens' XpressLink® system is a high-performance multi-service access system that supports both narrowband and broadband services for residential and business customers. Its product diversity makes optimum use of existing copper infrastructure to deliver bandwidth capacities of up to 8 Mbps with ADSL, as well as lower speed consumer-friendly UDSL capabilities.

### Texas Instruments (Pod 1 K2)

TI, the World leader in DSP solutions, is powering high-speed ADSL connectivity. The TI DSP-based PCI NIC provides a flexible solution, supporting G.lite and Full-Rate operation. As the most programmable solution, TI leads the industry in interoperability.